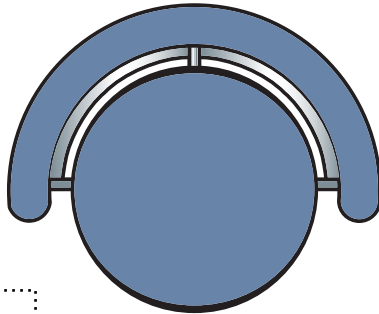


Many reasons the serious mariner always insists on  
**Crown Ltd Nautique Bar Stools**  
for fine yachts.

- Planned yacht styling from the deck up
- In every way balanced and visually pleasing
- The finest materials, fit, and finish available
- Options to suit every need

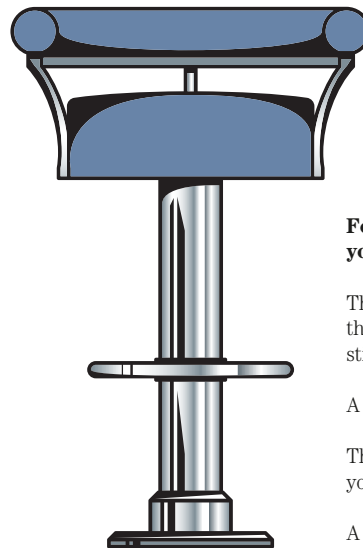
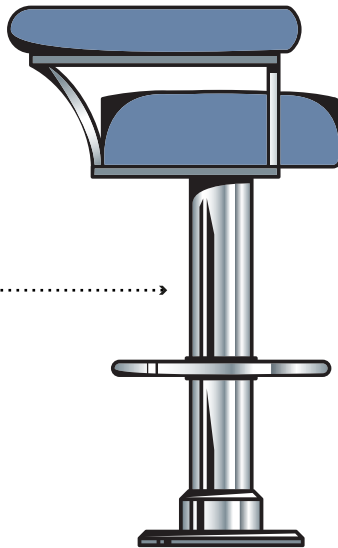
TOP VIEW

Unique, 180°  
Nautique Backrest.....



Vinyl upholstery standard.  
Leather, Valtekez,  
Ultraleather, Sunbrella  
and C.O.M. available.

Unparalleled mirror  
Polished Stainless Steel  
(Satin Finish Available).....



**Four types of foam for  
your ultimate comfort.**

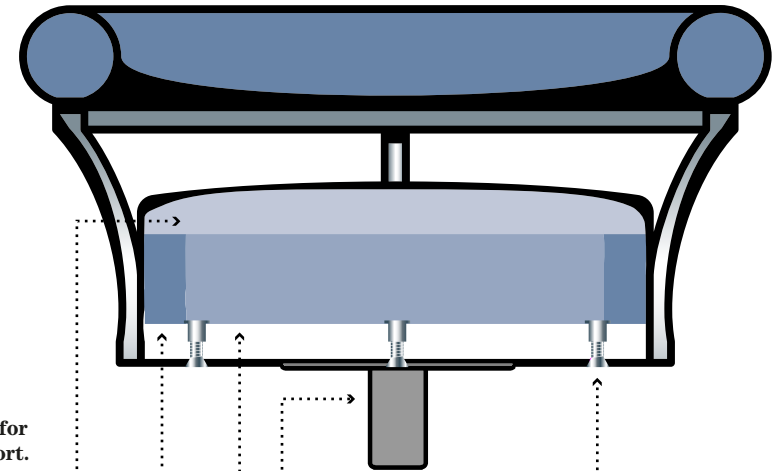
The softest foam glued to  
the upholstery for deep, rich  
stitching and a soft hand.

A soft cap for plush entry.....

The firm edge band cradles  
you in place.....

A medium compression  
center for deep down  
comfort.....

360° swivel bearing system  
machined from solid Delrin  
and Stainless Steel axel.....



Stool is finished as neatly  
below as on-top

Solid marine grade  
Starboard base with  
Stainless Steel T-nuts  
and bolts